

PC-150 150 Amp Polarity Changer

FEATURES

- Remotely switches DC power supply polarity via M-TEST 5.0
- Current rating: 150 A
- Voltage rating: 600 V
- Supercon input/output connectors
- Wiring interface and PCI-6521 card included
- Rack mountable



DESCRIPTION

The PC-150 Polarity Changer uses Magtrol's M-TEST 5.0 Software to remotely switch the polarity of a DC power supply in order to reverse the direction of the motor under test. When switching polarity, the voltage sense lines will also change in order to maintain the proper polarity on the power supply sense terminals.

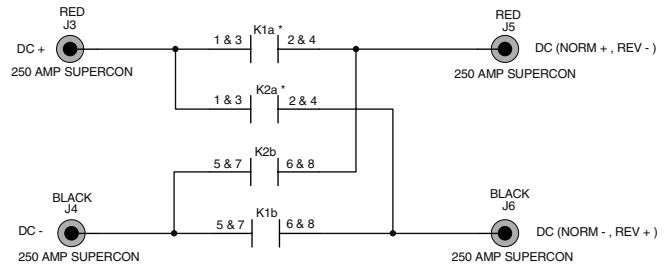
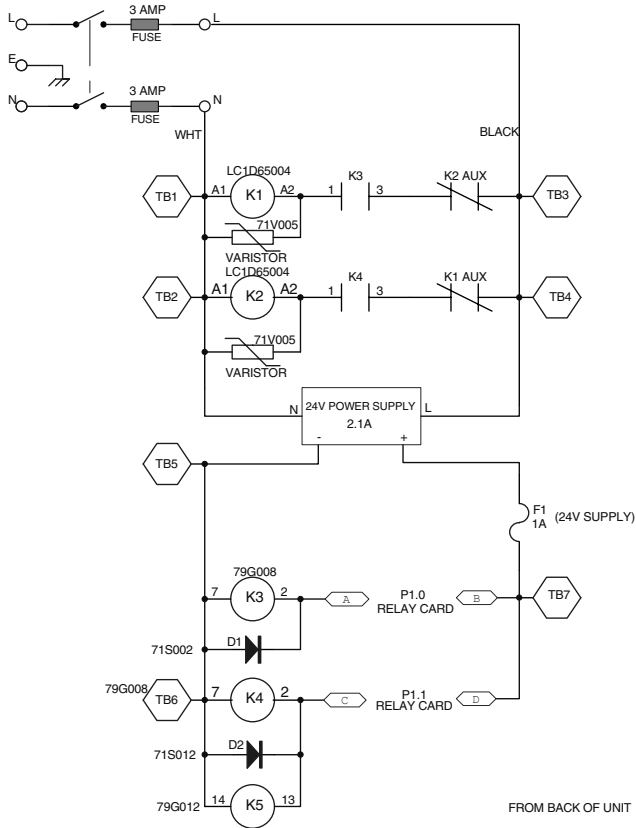
CONNECTIONS

PC-150 Inputs/Outputs	Connect To:
Relay Control Terminal	Relay Card in PC (via four 18 AWG lead wires*)
Input	DC Motor Power Supply*
Voltage Sense In	DC Motor Power Supply*
Voltage Sense Out	DC Motor Under Test
Output (150 A max.)	DC Motor Under Test

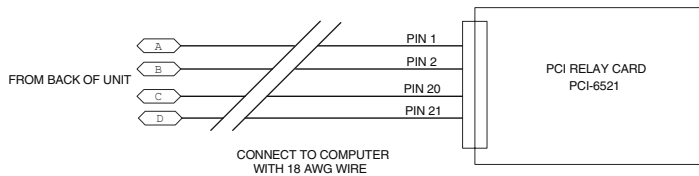
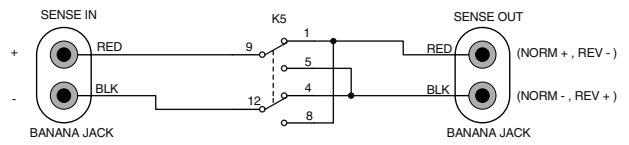
* Supplied by customer.

REAR PANEL





* NOTE: K1 AND K2 ARE 4-POLE 80 AMP CONTACTORS.
2-POLES TO GET 160 AMP RATING



Due to the continual development of our products, we reserve the right to modify specifications without forewarning.



www.magtrol.com

MAGTROL INC
70 Gardenville Parkway
Buffalo, New York 14224 USA
Phone: +1 716 668 5555
Fax: +1 716 668 8705
E-mail: magtrol@magtrol.com

MAGTROL SA
Centre technologique Montena
1728 Rossens/Fribourg, Switzerland
Phone: +41 (0)26 407 3000
Fax: +41 (0)26 407 3001
E-mail: magtrol@magtrol.ch

Subsidiaries in:
Great Britain
Germany • France
China • India
Worldwide Network
of Sales Agents

