

SOLID MODEL AVAILABLE

STOCK CODE	NUMBER MODEL	OUTPUT CONNECTION	WIRE GAUGE	CONDUIT LENGTH "L" (METERS)	POWER RATING
005876	PCB-A-1-3	A (1Ø)	1 (12 - 18 AWG)	3	55 A 600 V
005877	PCB-A-2-3	A (1Ø)	2 (8 - 12 AWG)	3	55 A 600 V

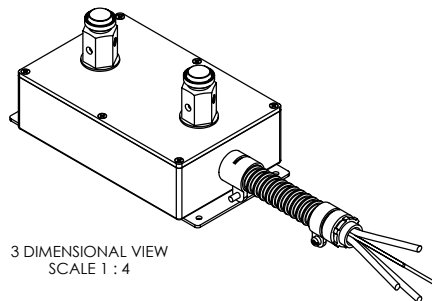
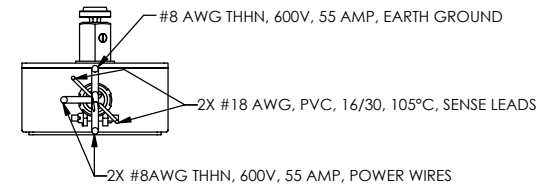
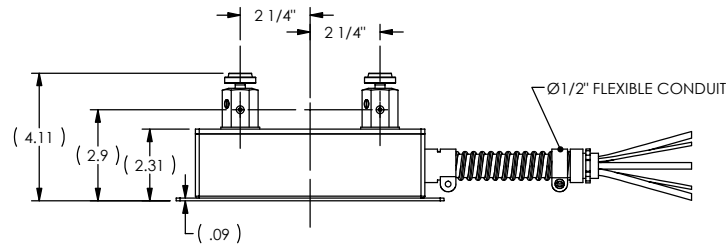
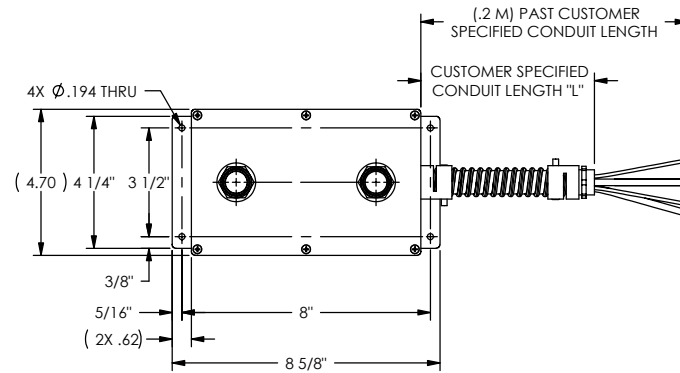
ORDERING INFORMATION
PCB - A - 1 - 3


POWER CONTROL BOX

OUTPUT CONNECTION
A = 1Ø
B = 3Ø

WIRE GAUGE
1 = (12 - 18 AWG)
2 = (8 - 12 AWG)

LENGTH OF FLEXIBLE CONDUIT IN METERS



MATERIAL:	DESIGN	AJC	12/15/06	 MAGTROL INC. 70 GARDENVILLE PKWY, W. BUFFALO, NEW YORK 14224-1322		
	DRAWN	AJC	12/15/06			
FINISH:	CHECKED	DTW	12/15/06	TITLE POWER CONNECTION BOX, 1 Ø, CMTS		
	UNLESS OTHERWISE SPECIFIED: DIMENSIONS ARE IN INCHES. DIAMETERS CONCENTRIC: .003 TIR, FACES PERPENDICULAR: .003 INTERPRETATION PER ASME Y14.5M-1994. REMOVE ALL BURRS AND BREAK SHARP EDGES .005/.010 X 45°, ALL INSIDE CORNERS TO BE .02 R MAX. TOLERANCES: .XX ± .01 FRAC. ± 1/64" .XXX ± .005 ANG. ± 1° SURFACE FINISH 125 RMS MAX. U.O.S.				(SEE DWG. -) (SHEET NO. -) DWG. NO. PCB-SINGLE PHASE	REV -
THIRD ANGLE PROJECTION				SIZE B	SCALE 1:4	SHEET # 2 OF 2
THIS DRAWING AND SPECIFICATION CONTAINS PROPRIETARY INFORMATION TO MAGTROL INC. ANY DISCLOSURE OR REPRODUCTION OF THIS DOCUMENT WITHOUT WRITTEN AUTHORIZATION FROM MAGTROL INC. IS EXPRESSLY PROHIBITED						