

SOLID MODEL AVAILABLE

STOCK CODE	NUMBER MODEL	OUTPUT CONNECTION	WIRE GAUGE	CONDUIT LENGTH "L" (METERS)	POWER RATING
005739	PCB-B-1-3	B (3Ø)	1 (12 - 18 AWG)	3	55 A 600 V
005874	PCB-B-2-3	B (3Ø)	2 (8 - 12 AWG)	3	55 A 600 V

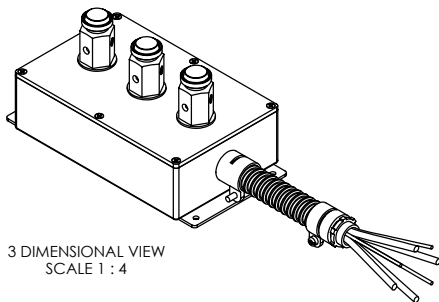
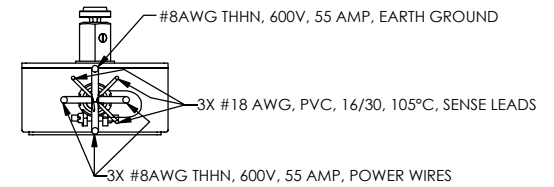
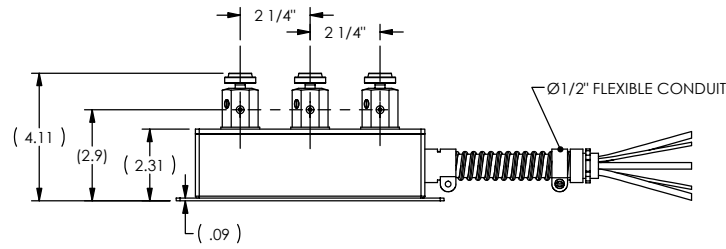
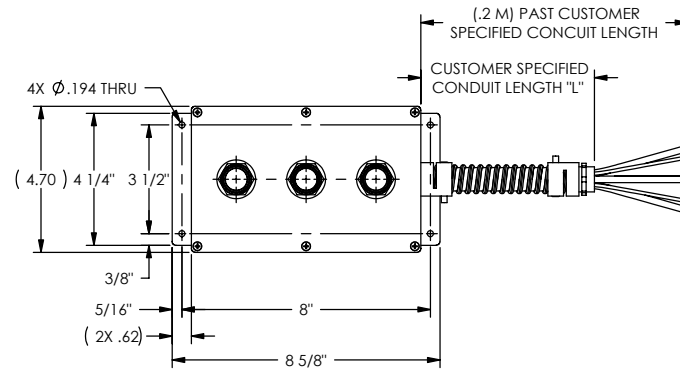
ORDERING INFORMATION  
PCB - B - 1 - 3


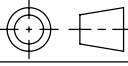
POWER CONTROL BOX

OUTPUT CONNECTION  
A = 1Ø  
B = 3Ø

WIRE GAUGE  
1 = (12 - 18 AWG)  
2 = (8 - 12 AWG)

LENGTH OF FLEXIBLE CONDUIT IN METERS



MATERIAL:	DESIGN	AJC	06/29/06	 <b>MAGTROL INC.</b> 70 GARDENVILLE PKWY, W. BUFFALO, NEW YORK 14224-1322
	DRAWN	AJC	06/29/06	
FINISH:	CHECKED	DTW	06/29/06	TITLE <b>POWER CONNECTION BOX,          3 Ø, CMTS</b>
	THIRD ANGLE PROJECTION 			
UNLESS OTHERWISE SPECIFIED: DIMENSIONS ARE IN INCHES. DIAMETERS CONCENTRIC: .003 TIR, FACES PERPENDICULAR: .003 INTERPRETATION PER ASME Y14.5M-1994 REMOVE ALL BURRS AND BREAK SHARP EDGES .005/.010 X 45°, ALL INSIDE CORNERS TO BE .02 R MAX. TOLERANCES: .XX ± .01      FRAC. ± 1/64" .XXX ± .005    ANG. ± 1° SURFACE FINISH 125 RMS MAX. U.O.S.				(SEE DWG. - SCHEDULE TO - DWG. NO.
THIS DRAWING AND SPECIFICATION CONTAINS PROPRIETARY INFORMATION TO MAGTROL INC.. ANY DISCLOSURE OR REPRODUCTION OF THIS DOCUMENT WITHOUT WRITTEN AUTHORIZATION FROM MAGTROL INC. IS EXPRESSLY PROHIBITED				REV <b>PCB-3 PHASE</b> -
SIZE	SCALE	SHEET #		
<b>B</b>	1:4	2 OF 2		