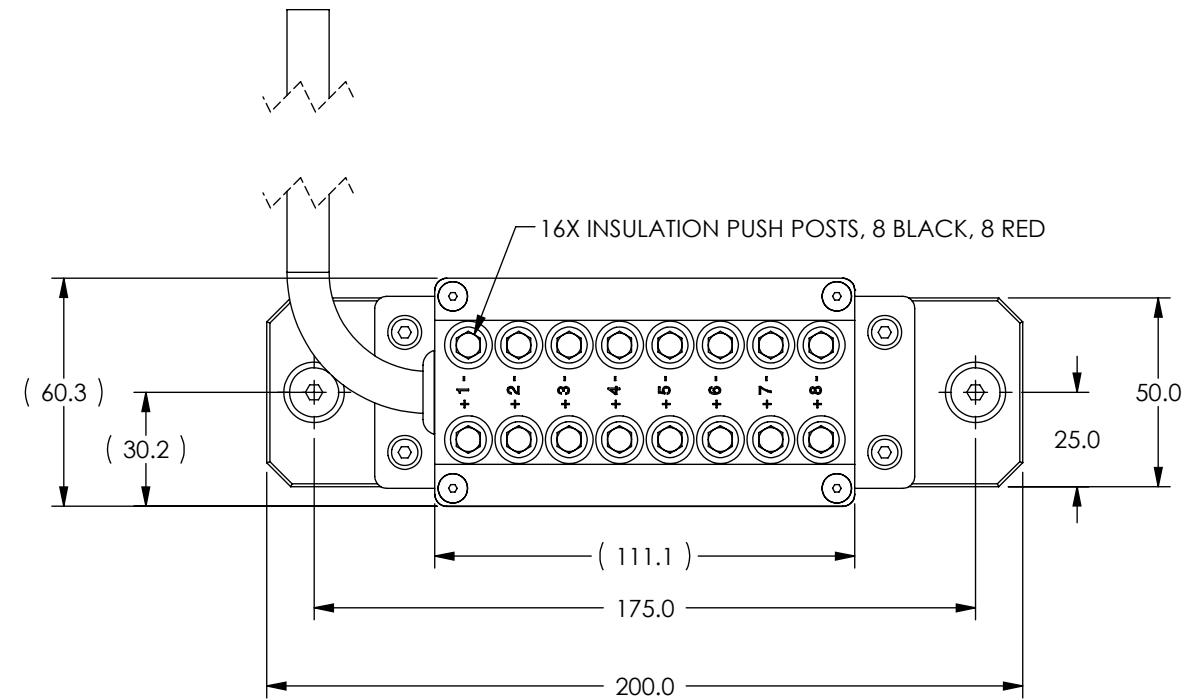


STOCK CODE	MODEL NUMBER	NUMBER DESIGNATOR	THERMOCOUPLE TYPE	THERMOCOUPLE EXTENSION WIRE LENGTH "L1" (METERS)	BRAIDED POLYESTER MESH LENGTH "L2" (METERS)
005824	TCB-A-J-3	A (1 - 8)	J (-210° TO 1200°C)	3	2.9
005870	TCB-B-J-3	B (9 - 16)	J (-210° TO 1200°C)	3	2.9
005871	TCB-A-T-3	A (1 - 8)	T (-270° TO 400°C)	3	2.9
005872	TCB-B-T-3	B (9 - 16)	T (-270° TO 400°C)	3	2.9



ORDERING INFORMATION
TCB - A - J - 3

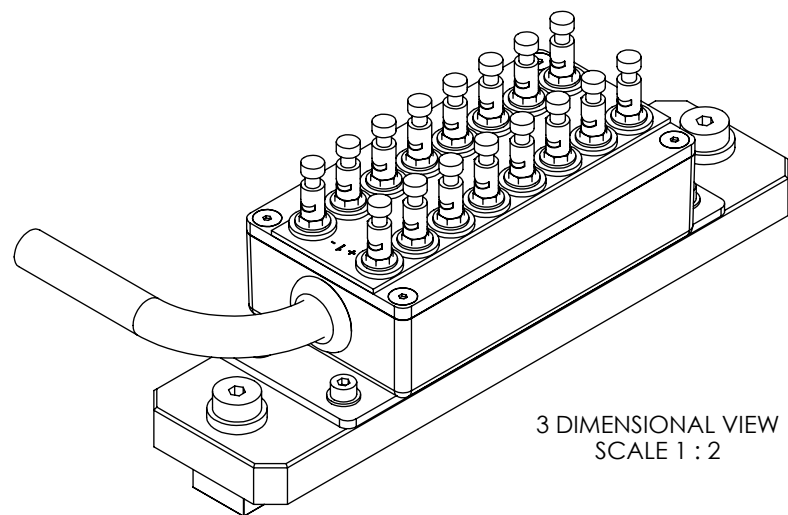
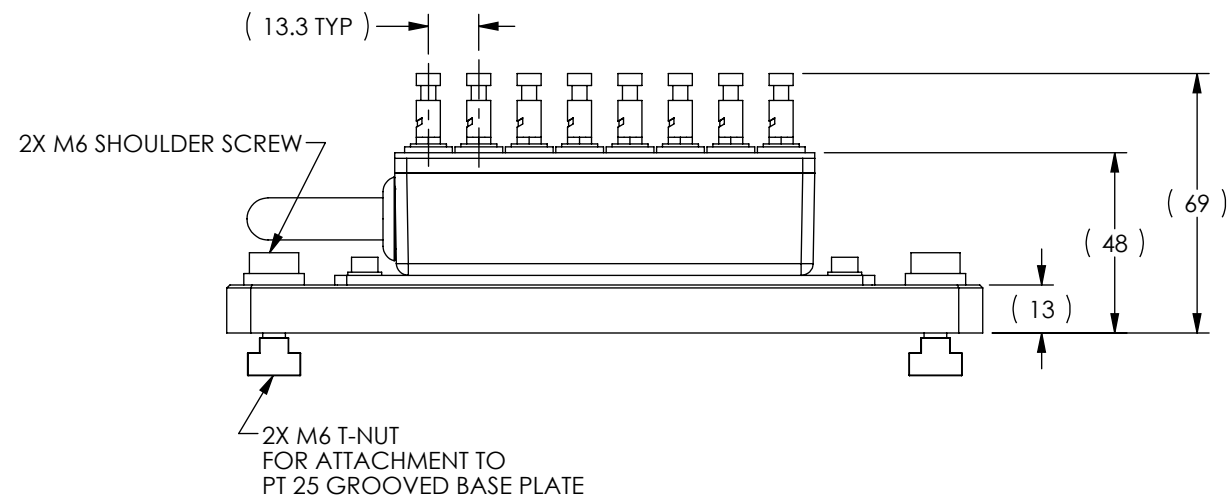
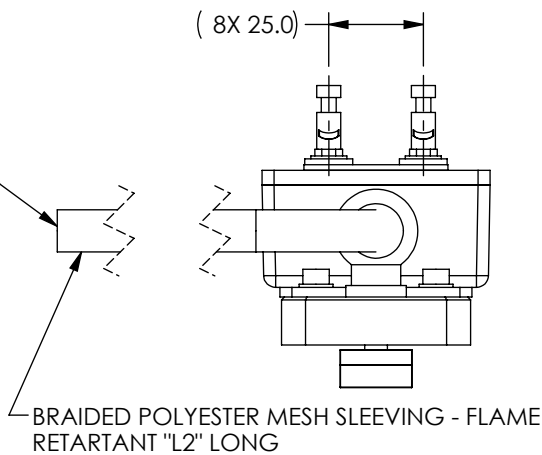
THERMOCOUPLE CONNECTION BOX


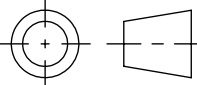
LENGTH OF EXTENSION WIRE IN METERS

THERMOCOUPLE TYPE
 J = J-TYPE (-210° TO 1200°C)
 K = K-TYPE (-270° TO 1372°C)
 T = T-TYPE (-270° TO 400°C)
 *OTHER TYPES AVAILABLE UPON REQUEST

NUMBER DESIGNATOR
 A = 1-8
 B = 9-16

8X 24 AWG THERMOCOUPLE WIRE DUPLEX EXTENSION GRADE "L1" LONG MIN (NOT SHOWN)



MATERIAL: -	DESIGN	AJC	11/13/06		MAGTROL INC. 70 GARDENVILLE PKWY, W. BUFFALO, NEW YORK 14224-1322	
	DRAWN	AJC	11/13/06		TITLE T/C CONNECTION BOX, CMTS	
FINISH: -	CHECKED	DG	11/13/06	USED ON: - SIMILAR TO: -	DWG. NO. TCB REV A	
	THIRD ANGLE PROJECTION 			UNLESS OTHERWISE SPECIFIED: DIMENSIONS ARE IN MILLIMETERS, DIAMETERS CONCENTRIC: .08 TIR, FACES PERPENDICULAR: .08 INTERPRETATION PER ASME Y14.5M-1994 REMOVE ALL BURRS AND BREAK SHARP EDGES .13/.25 X 45°, ALL INSIDE CORNERS TO BE .5 R MAX. TOLERANCES: X ± .4 .XX ± .13 .X ± .25 ANG. ± 1° SURFACE FINISH 3.2 µm MAX. U.O.S.		
THIS DRAWING AND SPECIFICATION CONTAINS PROPRIETARY INFORMATION TO MAGTROL INC. ANY DISCLOSURE OR REPRODUCTION OF THIS DOCUMENT WITHOUT WRITTEN AUTHORIZATION FROM MAGTROL INC. IS EXPRESSLY PROHIBITED				SIZE B	SCALE 1:2	SHEET # 2 OF 2