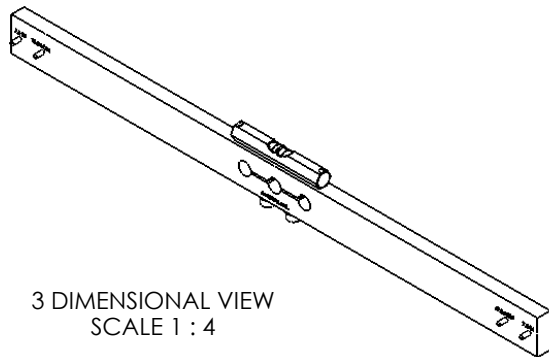

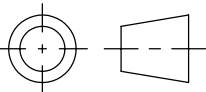


NOTES:

1. DIMENSIONS ARE FOR REFERENCE ONLY
2. PIN LOCATIONS ARE $\pm 0.005"$ [.13 mm] FROM CENTER



MATERIAL: -	DESIGN	JEF	02/10/05	 MAGTROL INC. 70 GARDENVILLE PKWY, W. BUFFALO, NEW YORK 14224-1322
	DRAWN	JEF	02/10/05	
FINISH: -	CHECKED	DTW	02/10/05	TITLE CB-500, CAL BEAM ASSY FOR HD-500 SERIES DYNOS
	THIRD ANGLE PROJECTION			<small>UNLESS OTHERWISE SPECIFIED: DIMENSIONS ARE IN INCHES, DIAMETERS CONCENTRIC-.003 TIR, FACES PERPENDICULAR-.003 INTERPRETATION PER ASME Y14.5M-1994 REMOVE ALL BURRS AND BREAK SHARP EDGES .005/.010 X 45°, ALL INSIDE CORNERS TO BE .02 R MAX. TOLERANCES .XX ± 0.01 FRAC. $\pm 1/64"$.XXX ± 0.005 ANG. $\pm 1^\circ$ SURFACE FINISH 125 RMS MAX. U.O.S.</small>
<small>THIS DRAWING AND SPECIFICATION CONTAINS PROPRIETARY INFORMATION TO MAGTROL INC. ANY DISCLOSURE OR REPRODUCTION OF THIS DOCUMENT WITHOUT WRITTEN AUTHORIZATION FROM MAGTROL INC. IS EXPRESSLY PROHIBITED</small>				<small>USED ON: - SIMILAR TO: 400500</small> DWG. NO. 400501 REV B
SIZE A		SCALE 1:2	SHEET # 2 OF 2	