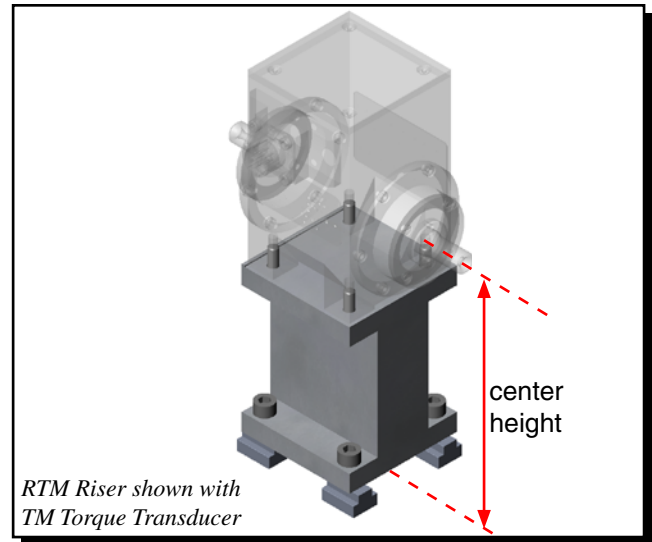
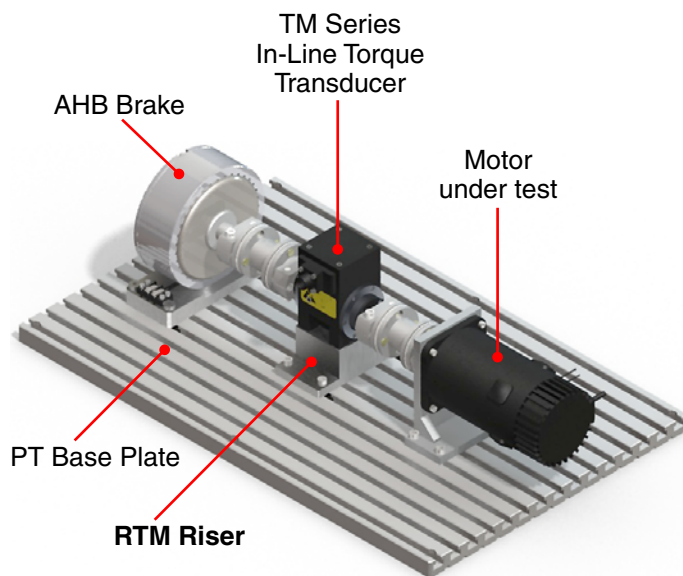


## RTM Series Riser Kits for In-line Torque Transducers

### DESCRIPTION

Magtrol's PT Series T-slot Base Plates are used for creating a basic test rig by mounting a Magtrol Dynamometer, Brake or Torque Transducer in line with the unit to be tested. Depending on the system configuration, a riser may be required to lift the transducer from the baseplate to the shaft height of the brake and/or the motor being tested. Magtrol RTM Riser Kits come complete with attachment hardware for the transducer and T-nuts and bolts for attachment to the PT Base Plate.

### MOUNTING EXAMPLE



### ORDERING INFORMATION

Center Height*	Fits Transducer Models:		
	TM 300 – 308	TM 309 – 311	TM 312 – 313
	Riser Model	Riser Model	Riser Model
60 mm	RTM-1-060	---	---
70 mm	RTM-1-070	---	---
80 mm	RTM-1-080	---	---
100 mm	RTM-1-100	---	---
80 mm	RTM-1-080	---	---
120 mm	RTM-1-120	RTM-2-120	---
200 mm	---	---	RTM-3-200

\*Non-standard center heights available. Contact Magtrol.



[www.magtrol.com](http://www.magtrol.com)

#### MAGTROL INC

70 Gardenville Parkway  
Buffalo, New York 14224 USA  
Phone: +1 716 668 5555  
Fax: +1 716 668 8705  
E-mail: [magtrol@magtrol.com](mailto:magtrol@magtrol.com)

#### MAGTROL SA

Centre technologique Montena  
1728 Rossens/Fribourg, Switzerland  
Phone: +41 (0)26 407 3000  
Fax: +41 (0)26 407 3001  
E-mail: [magtrol@magtrol.ch](mailto:magtrol@magtrol.ch)

#### Subsidiaries in:

Great Britain  
Germany • France  
China • India  
Worldwide Network  
of Sales Agents

