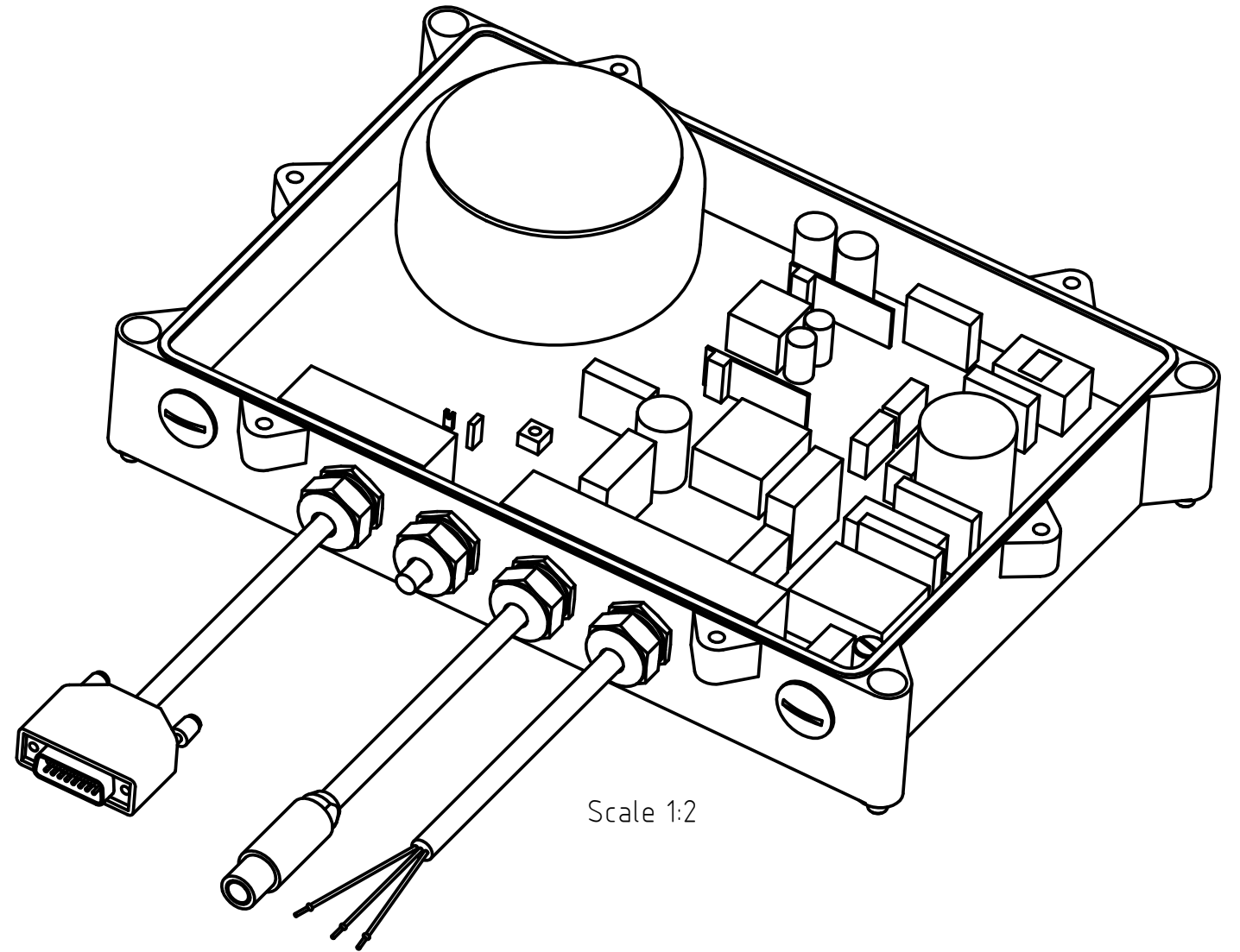
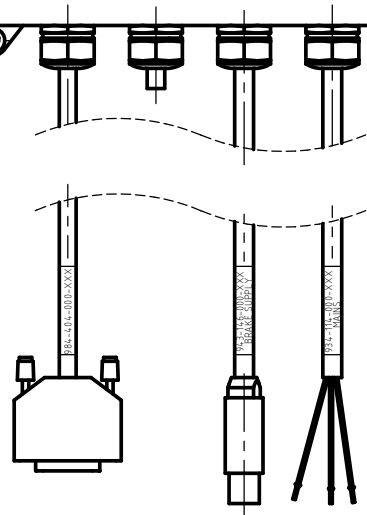
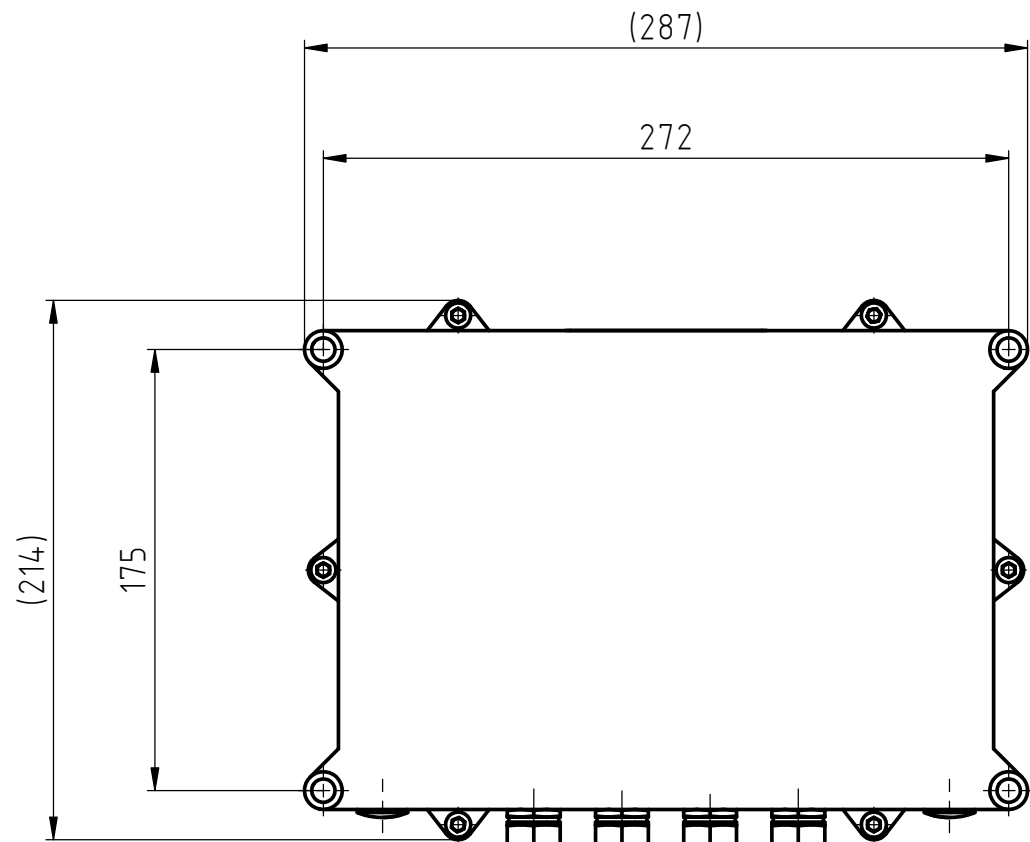
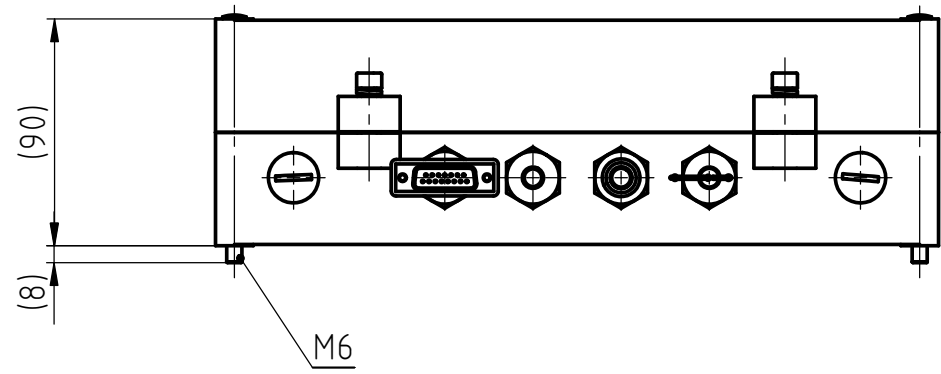


THE INFORMATION DISCLOSED HEREIN WAS ORIGINATED BY AND IS THE PROPERTY OF MAGTROL SA. MAGTROL SA RESERVES ALL PATENT PROPRIETARY, DESIGN, USE, SALE, MANUFACTURING AND REPRODUCTION RIGHTS THERETO.



6									
5									
4									
3									
2									
1									
Rev.	Date	PM	Drawn	Appr.	Repl. by :				
					Repl. for:				
Tolerances: ±						mm to 50mm, ± mm over 50mm			
Material:						Scale		1:3	
Finish:						Drawn		15.12.04	
						Checked			
						Approved		15.12.04	
						N.Buri			
DES 310/11x KIT FOR Dyno 2.7 & 43						DRAWING N°			
						234-310-000V112			

MAGTROL SA
SWITZERLAND



Scale
1:3

Drawn 15.12.04 J.Soffaz
Checked
Approved 15.12.04 N.Buri

DRAWING N°
234-310-000V112