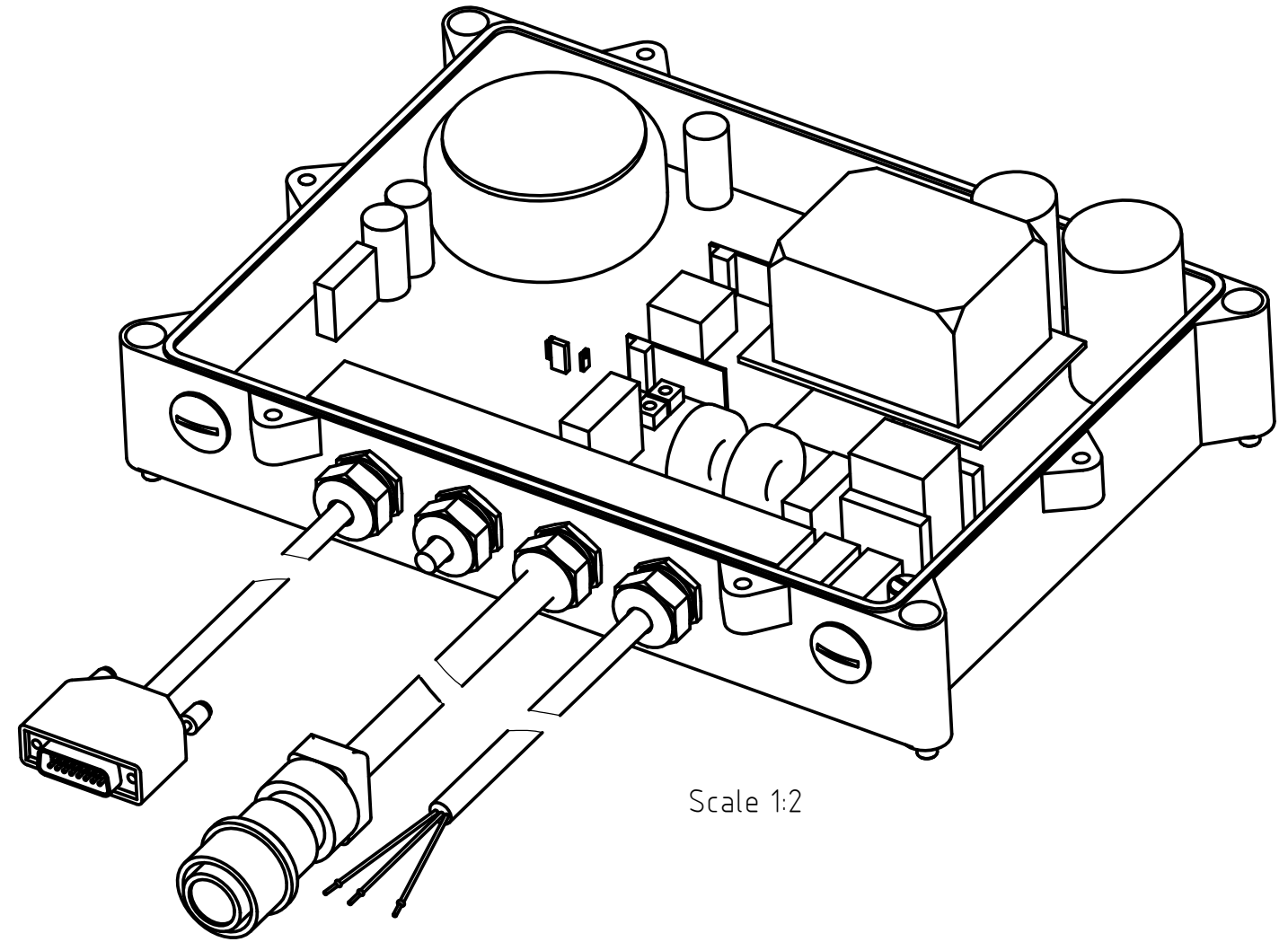
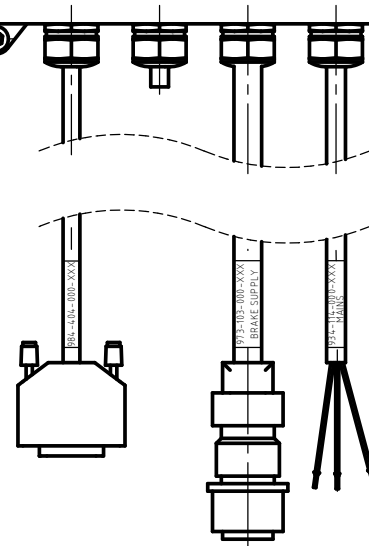
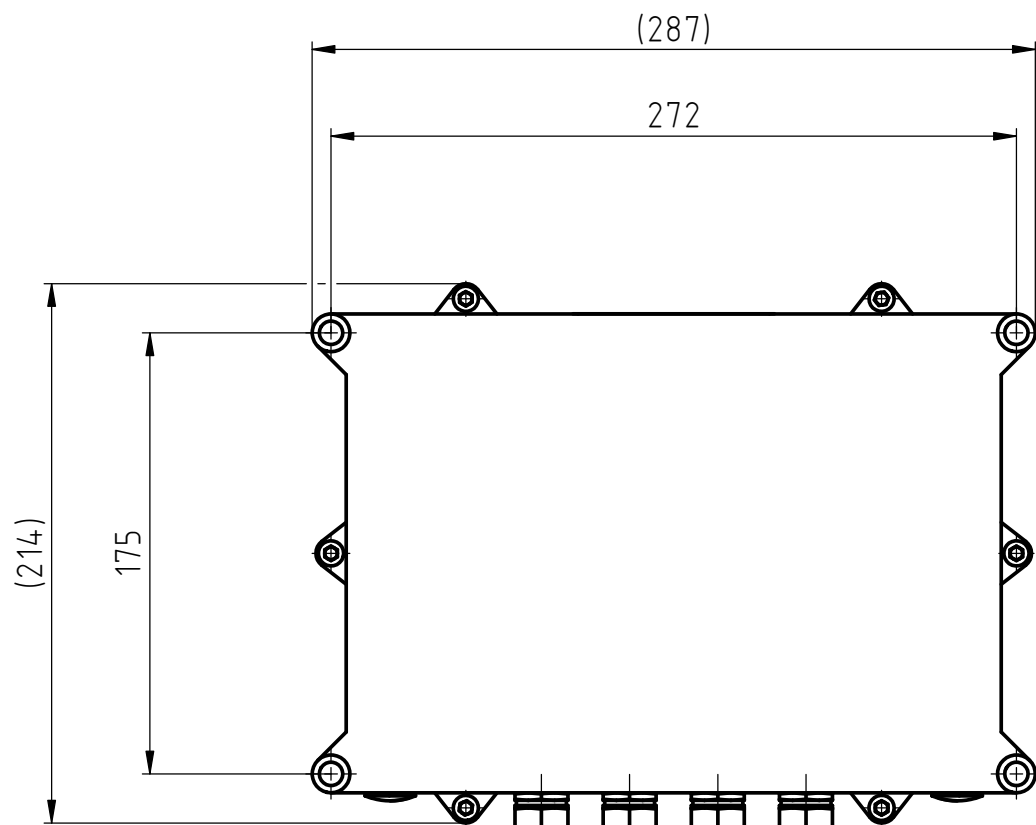
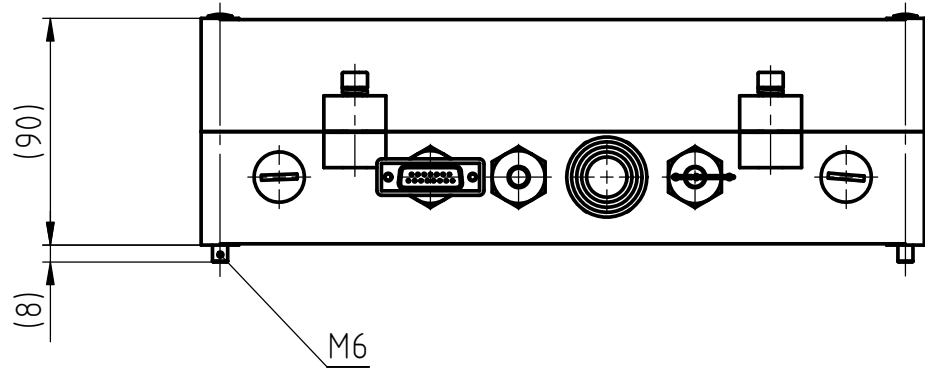


THE INFORMATION DISCLOSED HEREIN WAS ORIGINATED BY AND IS THE PROPERTY OF MAGTROL SA. MAGTROL SA RESERVES ALL PATENT PROPRIETARY, DESIGN, USE, SALE, MANUFACTURING AND REPRODUCTION RIGHTS THERETO.



6									
5									
4									
3									
2									
1									
Rev.	Date	PM	Drawn	Appr.	Repl. by :				
					Repl. for:				
Tolerances: ±						mm to 50mm, ±		mm over 50mm	
Material:						Scale		1:3	
Finish:						Drawn		10.12.04	
						Checked		J.Soffaz	
						Approved		15.12.04	
						Approved		N.Buri	
DES 311/12x KIT FOR Dyno 65, 115 & 1XB15						DRAWING N°			
						234-311-000V123			

MAGTROL SA
SWITZERLAND