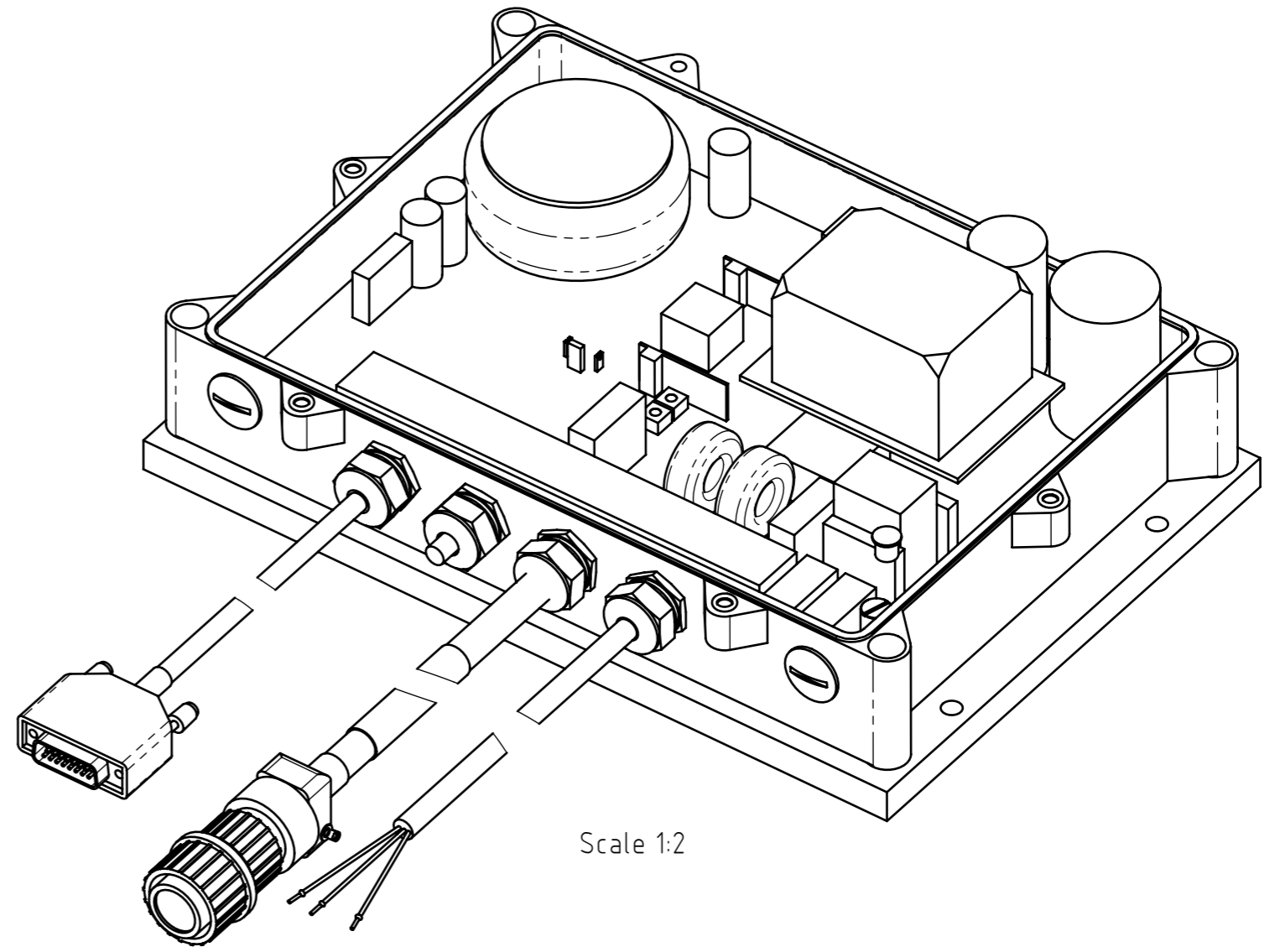
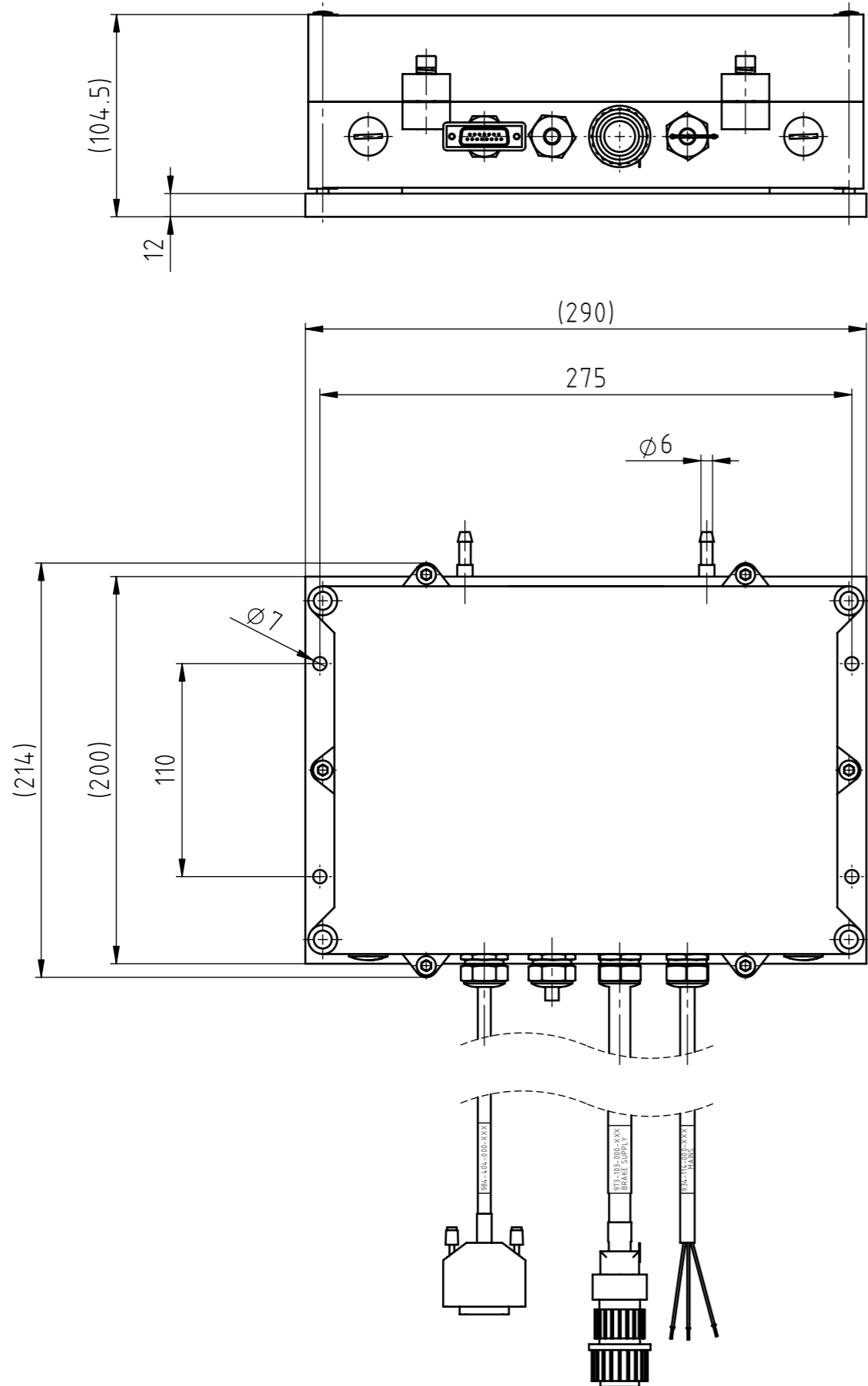


THE INFORMATION DISCLOSED HEREIN WAS ORIGINATED BY AND IS THE PROPERTY OF MAGTROL SA. MAGTROL SA RESERVES ALL PATENT PROPRIETARY, DESIGN, USE, SALE, MANUFACTURING AND REPRODUCTION RIGHTS THERETO.



6									
5									
4									
3									
2									
1									
Rev.	Date	PM	Drawn	Appr.	Repl. by :				
					Repl. for:				
Tolerances: ±					mm to 50mm, ±		mm over 50mm		
Material:							Scale		
Finish:							1:3		
DES 311/13x KIT FOR							DRAWING N°		
Dyno 2, 3, 4WB/PB15							234-311-000V132		



Drawn	14.12.04	J.Soffaz
Checked		
Approved	15.12.04	N.Buri